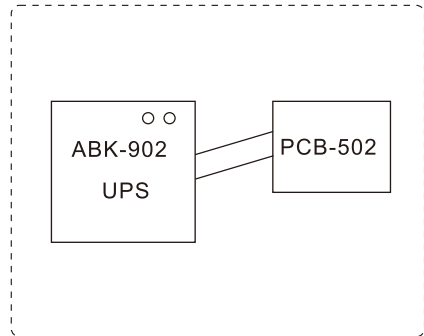


# Access Control Externally Connected Module

## Specification

- Size: 35Lx34Wx22H(mm)
- Material: High quality elements with superb design
- Max. overload: 10A/250VAC  
10A/30VDC
- Suitable for door: Fail-safe electric locks with signal output
- Operating temp: -20~+70°C
- Output capability: Applied to double door interlocking
- Weight: 0.05kg

## Installation



## Basic Instruction

Interlocking relay module is the ideal choice for the purpose of interlocking door control project, which is easy to install, professional and capable of standing wear.

## Dimension

